

6”>5” OUTLET CONVERSION FITTING INSTRUCTIONS



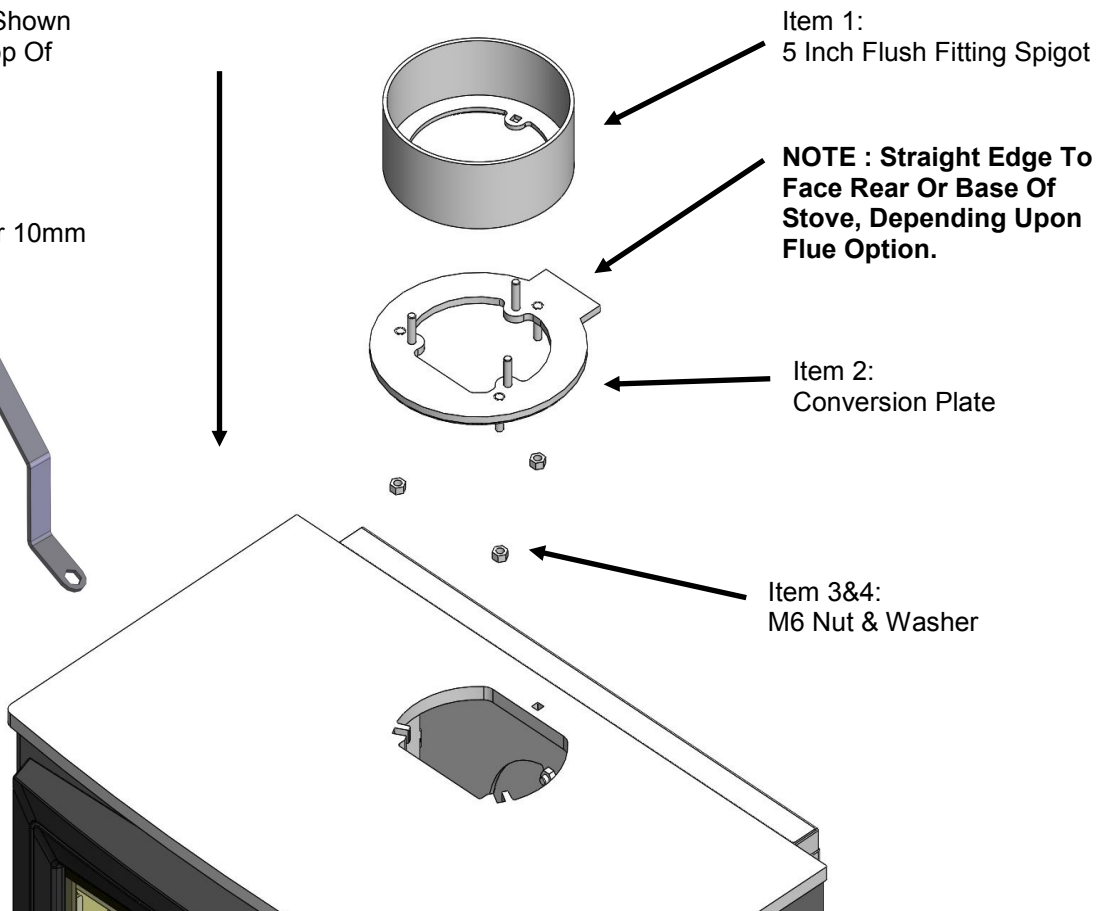
- Kit Contents —
- Item 1: 5 Inch Flush Fitting Flue Spigot —1 Off
 - Item 2: Conversion Plate —1 Off
 - Item 3: M6 Full Nut—6 Off
 - Item 4: M6 Washer—6 Off
 - Item 5: Cranked Spanner 10mm—1 Off

Fitting Instructions :

- Place the conversion plate about the required opening. Please note the orientation of the fixing studs and place over the square cut holes within the slab canopy or back panel, also ensure the rope seal is placed against the canopy or back panel.
- Working from the inside of the stove, take 1no. M6 washer & 1no. M6 nut and affix onto the stud.
- Repeat for the remaining 2 no. studs. Fully tighten the nuts with a cranked 10mm ring spanner supplied, to ensure the rope seal is compressed to form a gas tight seal.
- Place the 5 Inch flush fitting spigot over the protruding stud from the conversion plate, ensuring the welded seam is facing the rear or base of the stove, depending upon flueing placement .
- Affix with the remaining washers and nuts. Fully tighten the fixings.

NOTE : Pictured Shown
Mounting Onto Top Of
Slab Canopy

Item 5:
Cranked Spanner 10mm



Item 1:
5 Inch Flush Fitting Spigot

NOTE : Straight Edge To
Face Rear Or Base Of
Stove, Depending Upon
Flue Option.

Item 2:
Conversion Plate

Item 3&4:
M6 Nut & Washer